

# HP-ERC Series

High Pressure dual valve electronic pressure control

---



0...400 bar gauge precision pressure control



**PRESSURE CONTROL**  
— SOLUTIONS —

# HP-ERC Series | High pressure electronic pressure controller

The HP-ERC series is designed to automate Equilibar® back pressure regulators up to 400 bar. Even the most challenging process can now be controlled by combining a dome-loaded with this precise electronic reference control. The HP-ERC delivers very stable pressure control without any overshoot. Over more than three decades, the unique pilot-operated proportional valves have proven themselves in various applications. Applying this dual valve reference pressure controller means reducing the consumption of highly pressurized gas to an absolute minimum. Apart from industrial standard analog communication, a wide variety of digital communication options is available.

## Main Features & Specifications

- Pressure: Up to 400 bar
- Minimal dead volume
- High precision & accuracy
- Zero pressurized gas consumption
- Open & closed loop control options
- External sensor for easy adaptation

FEATURE	DETAILS
Control stability	0,1% of Full Scale (optional 0,01%)
Repeatability	<0,02%
Sensor accuracy	0,5 % Full Scale Optional: 0,25% - 0,125% - 0,1%
Pressure transmitter (max. pressure)	Up to 400 bar (Full scale range per customer request)
Minimum differential pressure	6 bar(d)
Maximum differential pressure	400 bar(d)
Temperature range	-10...70°C
Power supply	24 Vdc (215 mA)
Fail safe (Dual valve)	Pressure Hold (both valves are Normally Closed)
Seals	Viton 514162 with Viton 514162 plunger
Tube fitting sizes	1/4" OD compression type
Cv valves	Inlet valve 5,0E-5   outlet valve 1,0E-4
Analog communication	0...5 (10) Vdc or 0 (4)...20 mA (sourcing output)
Optional digital communication	DeviceNet   ProfiBus   ProfiNet   Ethercat FlowBus   ModBus RTU   ModBus TCP/IP   CANopen
Weight	5,2 kg (11.5 lbs)



# About PCS

Pressure Control Solutions specializes in the selection, assembly and manufacturing of precision process control products to facilitate process control and process engineers around the world. We are also the authorized distributor for Equilbar® products in Northwest Europe.

We provide products uniquely capable of fulfilling the most demanding application requirements. Products like the Equilbar back pressure regulators combined with electronic pressure controllers are a good example of high-value solutions.

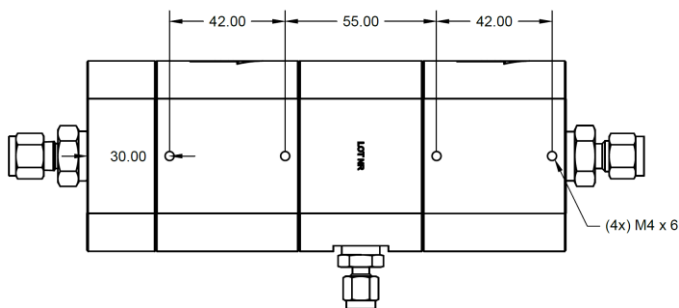
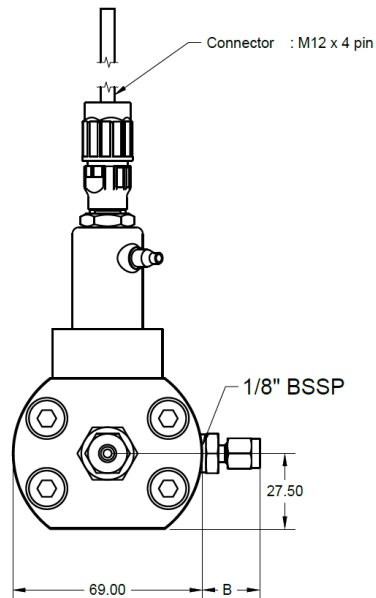
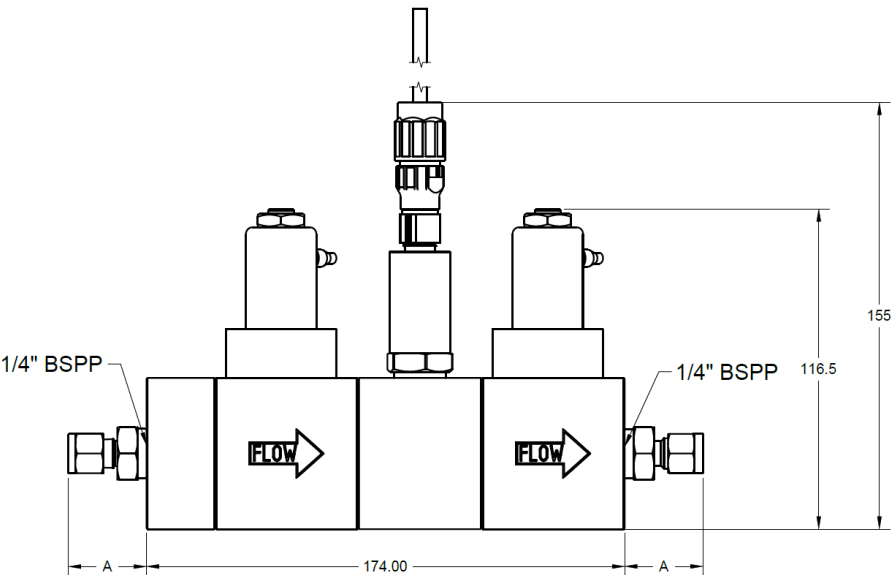
As a result, we advise and facilitate users to push their process to its limits. Greater control dynamics, higher pressure, higher temperatures and exotic materials are part of the standard package.



**PRESSURE CONTROL**  
SOLUTIONS

Pressure Control Solutions B.V.  
www.pressurecontrolsolutions.nl  
info@pressurecontrolsolutions.nl

Stationsstraat 72  
3905JK VEENENDAAL  
The Netherlands



Fitting / Dimension	A	B
1/8" O.D	26	21
1/4" O.D	26.5	26.5
6mm O.D	26.5	26.5

320 Rutledge Rd.  
Fletcher, North Carolina  
28732 • United States

+1-828-650-6590  
inquiry@equilbar.com

